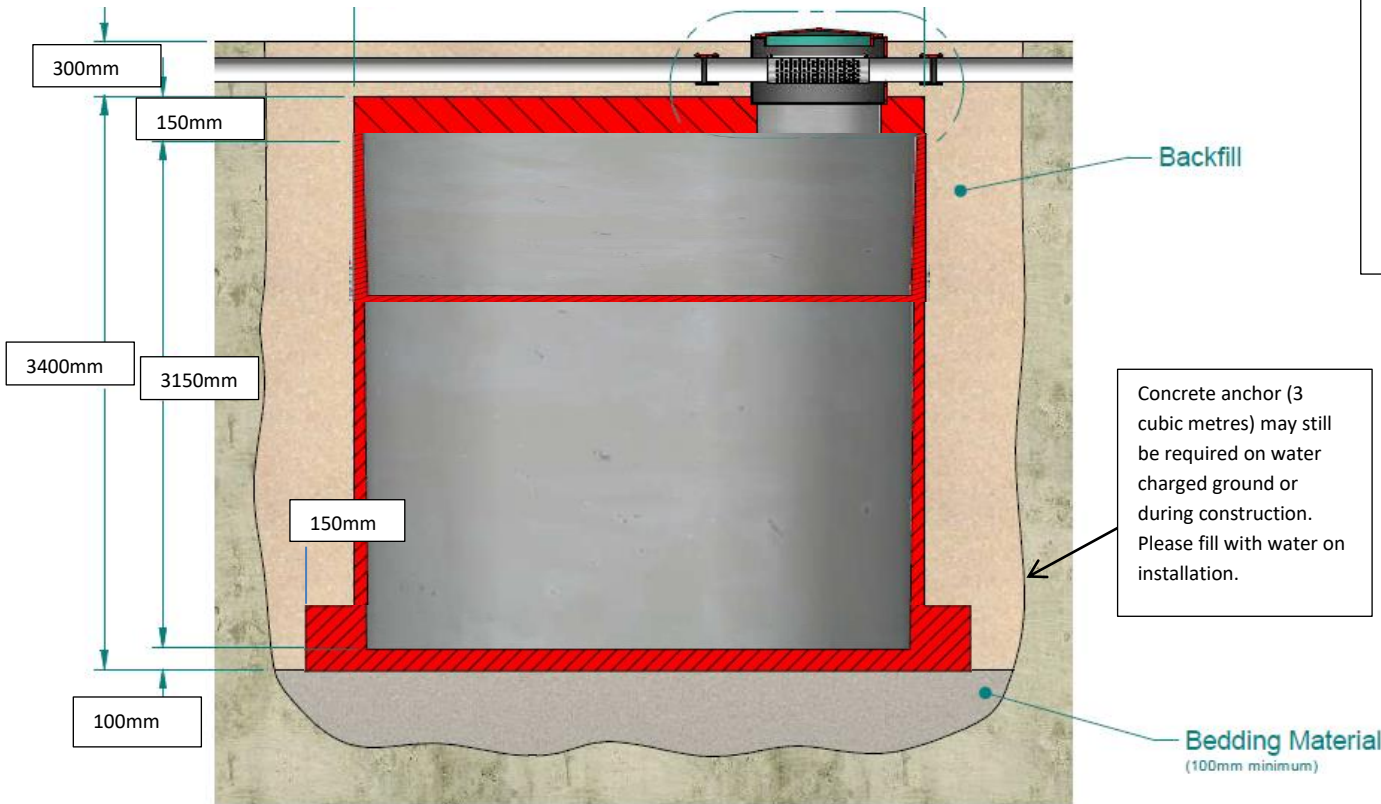
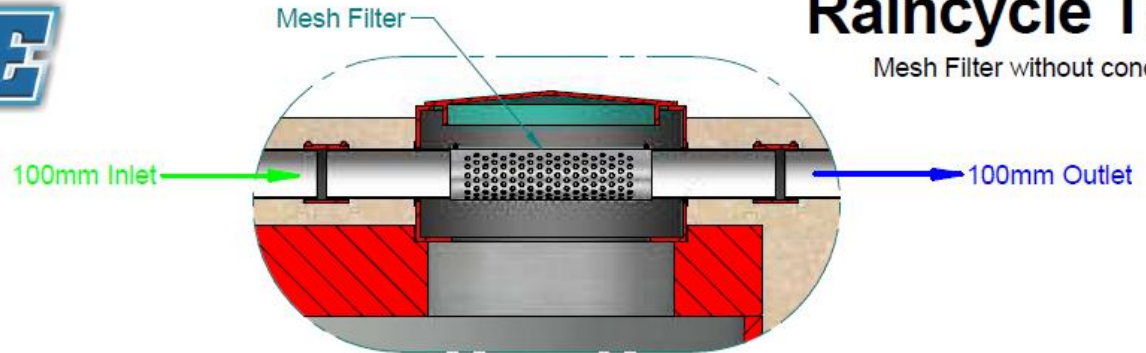




Raincycle Tank

Mesh Filter without concrete foot



**13,500 Litres
With Foot**

Tank manufactured in accordance with AS/NZS 1546.1:2008

