

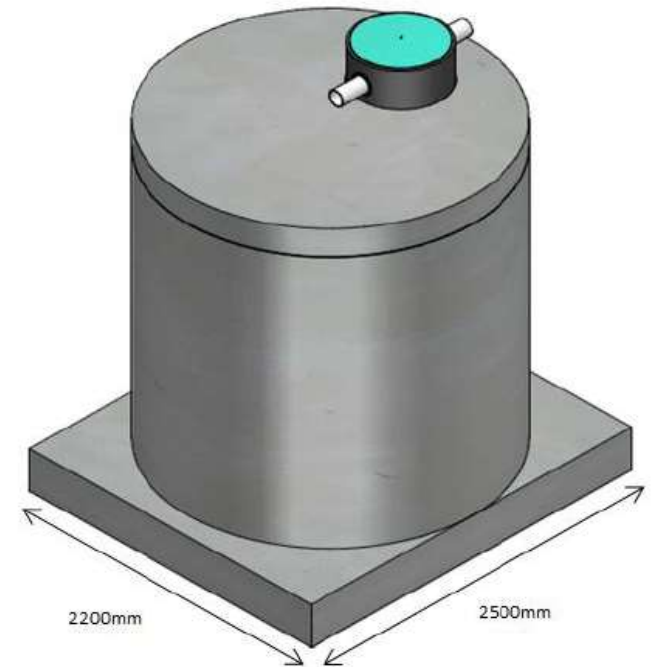
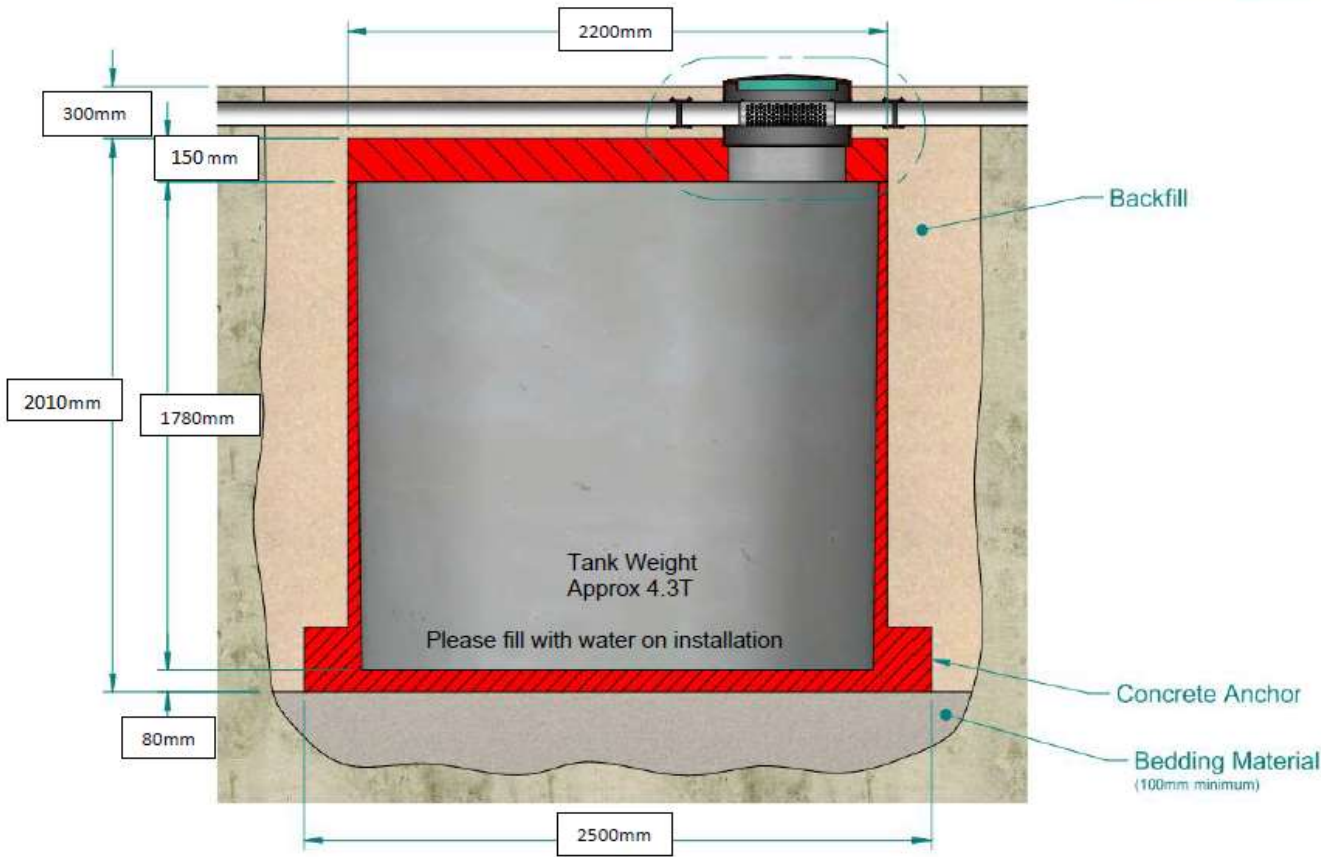
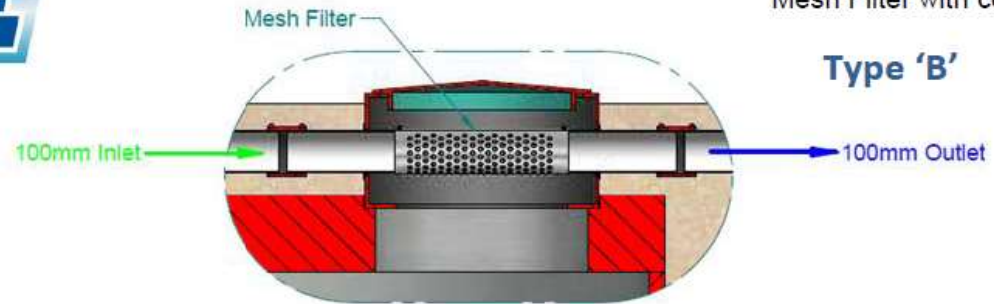


6,100 Litre with foot

# Raincycle Tank

Mesh Filter with concrete foot

Type 'B'



Tank manufactured in accordance with AS/NZS 1546.1:2008

