

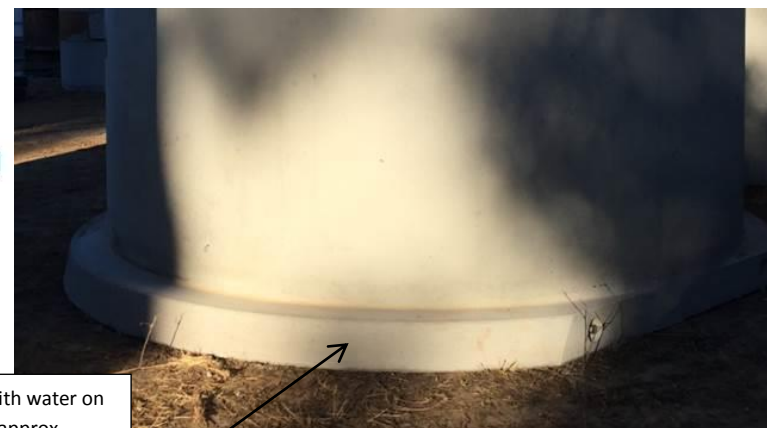
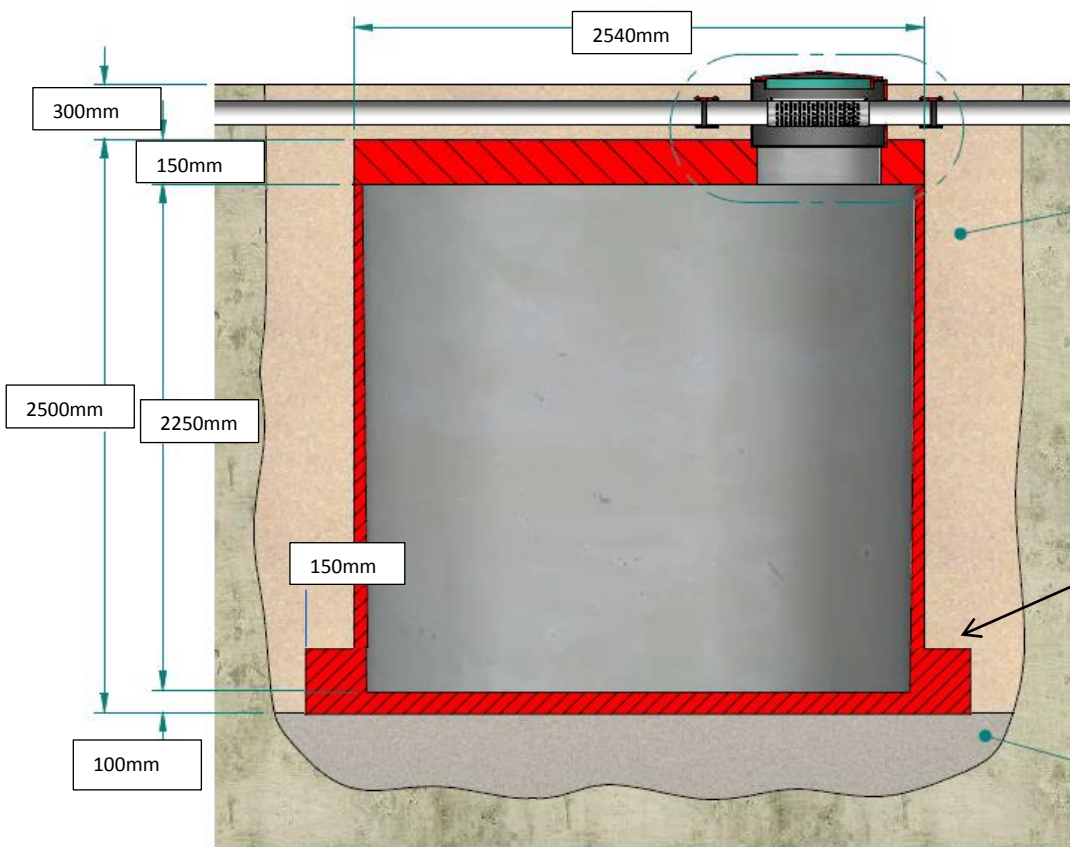
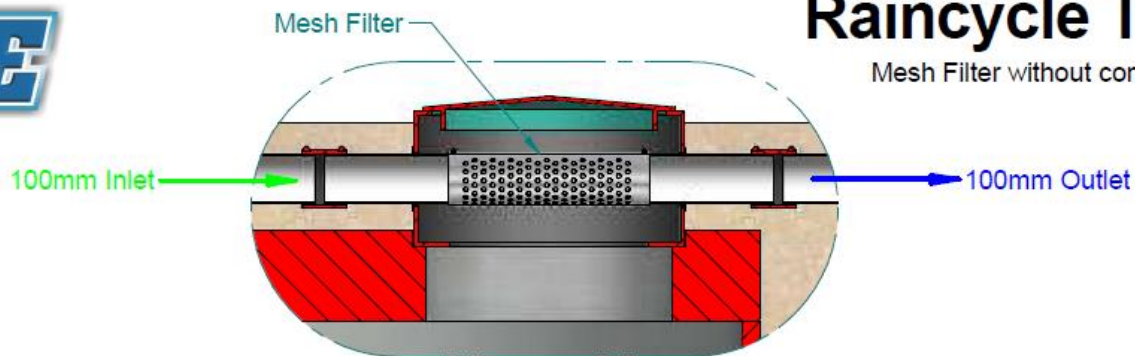


10,500 Litres

With Foot

Raincycle Tank

Mesh Filter without concrete foot



Please fill with water on installation approx. 5000 litres. Concrete anchor (3 cubic metres) may still be required in water charged ground.

Bedding Material (100mm minimum)

Tank manufactured in accordance with AS/NZS 1546.1:2008

