



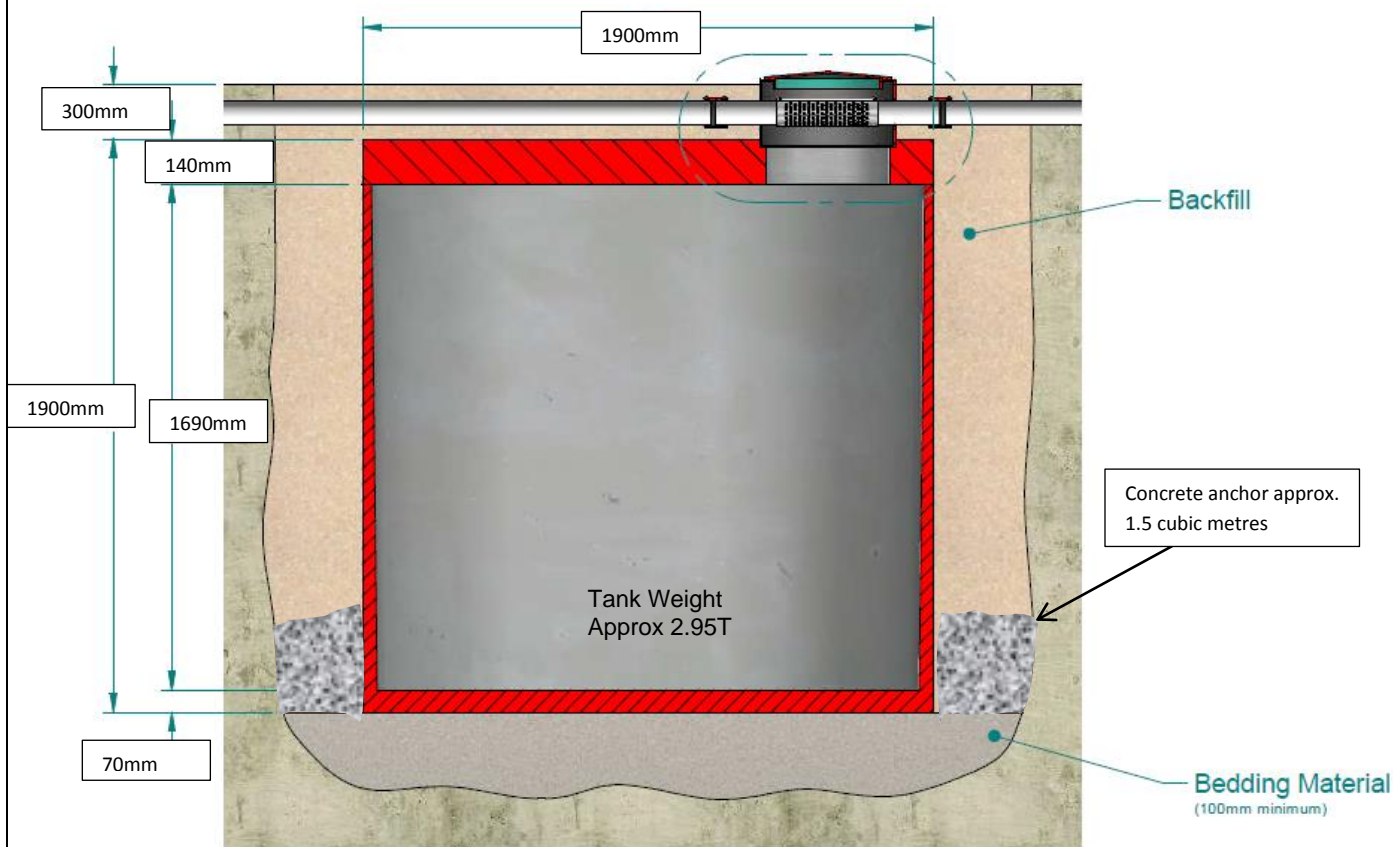
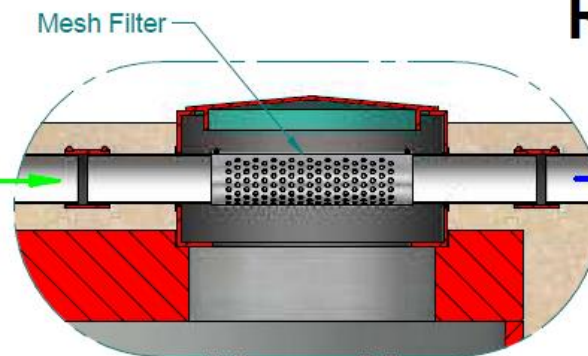
4,100 Litre Tall

Raincycle Tank

Mesh Filter without concrete foot

100mm Inlet

100mm Outlet



Tank manufactured in accordance with AS/NZS 1546.1:2008

