



9,100 Litre

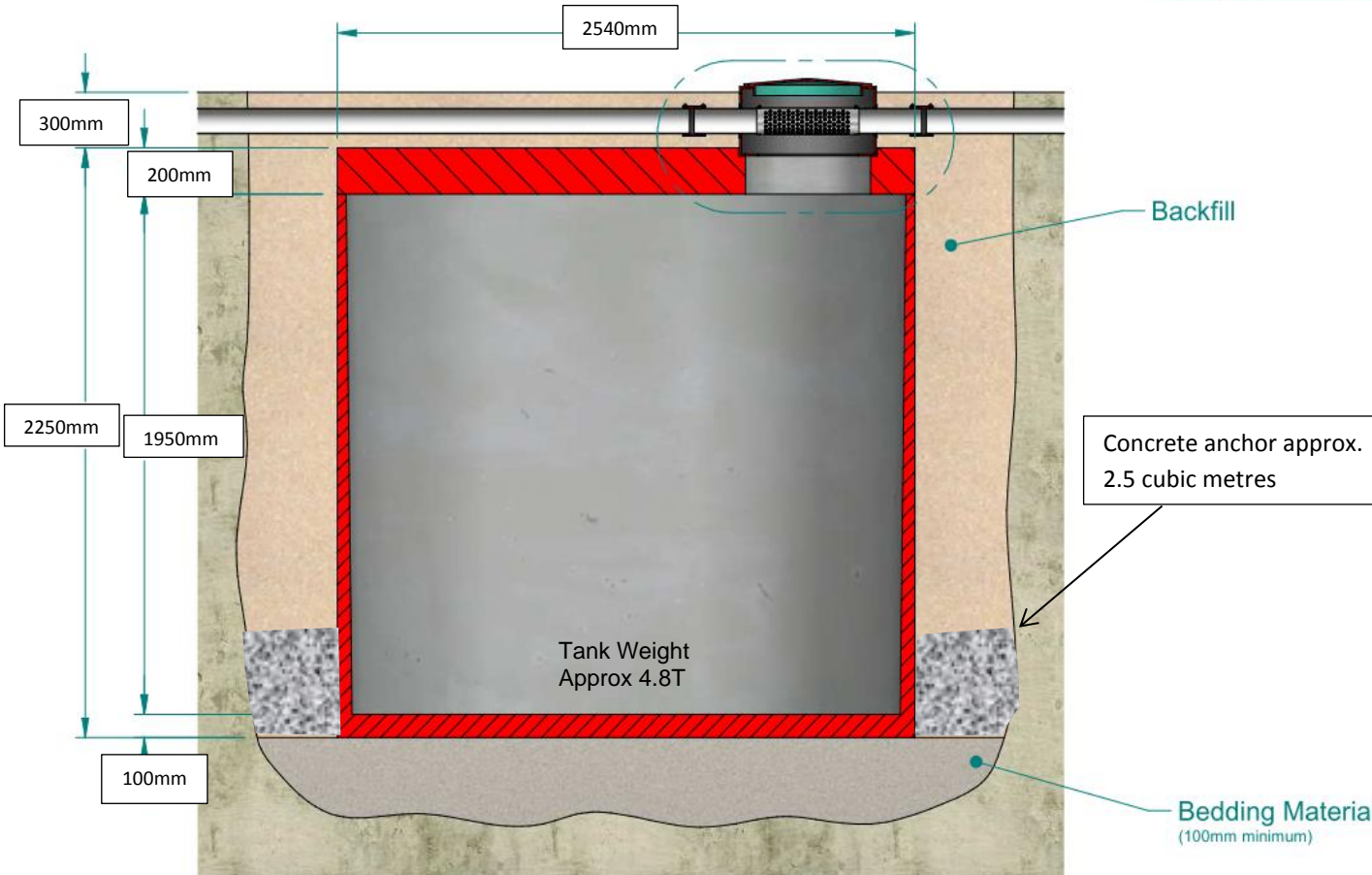
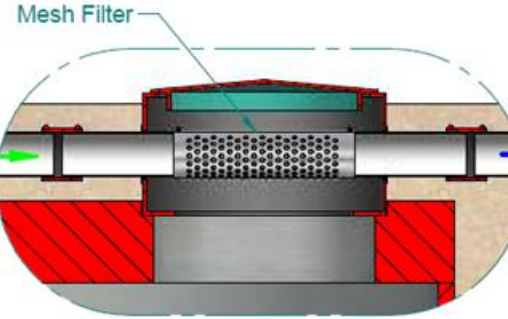
Raincycle Tank

Mesh Filter without concrete foot

Type 'B'

100mm Inlet

100mm Outlet



Tank manufactured in accordance with AS/NZS 1546.1:2008

